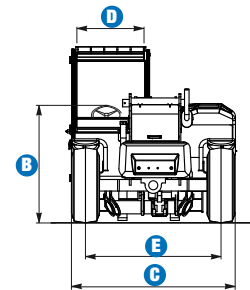
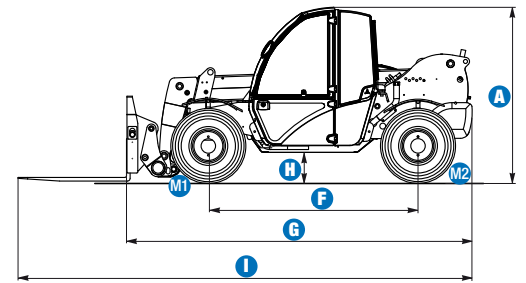


Specifications

MODEL **GTH™-2506**

MEASUREMENTS	Metric	Imperial
Lifting height maximum	5.79 m	19 ft
Lifting capacity maximum	2,500 kg	5,511 lbs
Lift capacity at maximum height	2,000 kg	4,409 lbs
Lift capacity at maximum reach	900 kg	1,984 lbs
Forward reach maximum	3.35 m	11 ft
Reach at maximum height	60 cm	2 ft
A Height	1.92 m	6 ft 4 in
B Height at steering wheel	1.25 m	4 ft 1 in
C Width	1.81 m	5 ft 11 in
D Inside cab width	75 cm	2 ft 6 in
E Track	1.5 m	4 ft 11 in
F Wheelbase	2.32 m	7 ft 7 in
G Length at fork-holder plate	3.84 m	12 ft 7 in
H Ground clearance	33 cm	1 ft 1 in
I Overall length	5.04 m	16 ft 6 in
M1 Obstruction angle	90°	90°
M2 Departure angle	70°	70°



PRODUCTIVITY

Inside/outside turning radius	1.7 m/3.35 m	5 ft 7 in/11 ft
Break-out force (with 500 L shovel SAE J 732/80)	4,185 kg	9,225 lbs
Towing capacity at dynamometer	4,230 kg	9,325 lbs
Travel speed maximum	24 km/h	15 mph
Fork-holder plate rotation	130°	130°
Floating forks	L 1,200 mm Section 100 x 40 mm	L 3 ft 11 in Section 4.5 in x 2 in
Tyres (DIN 70361)	12-16.5" PR10 8 - holes wheel disc	
Lifting/lowering speed	7 sec/4 sec	7 sec/4 sec
Extension/retraction speed	7 sec/4 sec	7 sec/4 sec

POWER

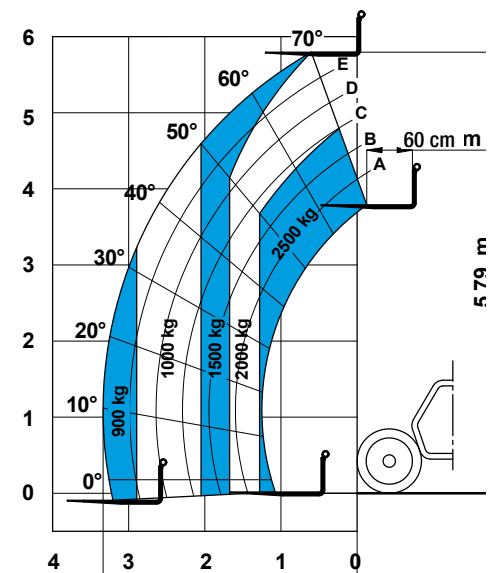
Engine	Deutz D 2011 L04 4-cylinder Diesel 68 hp (50 kW), Tier 3	
Tank capacities		
Fuel	60 L	13 gal
Engine oil	10 L	2.2 gal
Hydraulic oil	65 L	14 gal
Hydraulic output/pressure	70.2 L/min - 270 bars	15.4 gal/min - 3,771 psi

WEIGHT

Weight*	4,450 kg	9,810 lbs
---------	----------	-----------

STANDARDS COMPLIANCE	
	Operating cab conforms to ISO3471 (ROPS) and ISO3449 (FOPS)
	Low emission engine conforms to UE 97/68 directives
	GOST R 50950-96

* Weight will vary depending on options and/or country standards



Lift capacity chart
With floating forks
(L 1200 mm-section 100x40 mm)

EN1459, Annex B