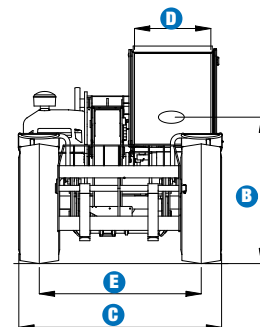
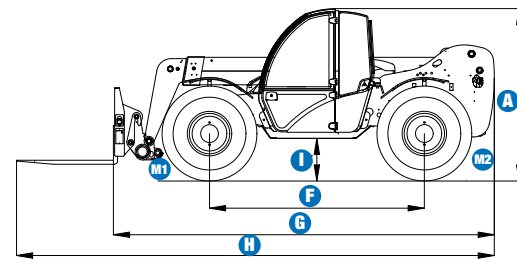


# Specifications

MODEL		GTH™-3007	
MEASUREMENTS		Metric	Imperial
Lifting height maximum	6.90 m	22 ft 8 in	
Lifting capacity maximum	3,000 kg	6,613 lbs	
Lift capacity at maximum height	2,500 kg	5,511 lbs	
Lift capacity at maximum reach	1,250 kg	2,755.5 lbs	
Forward reach maximum	3.99 m	13 ft 1 in	
Reach at maximum height	76 cm	2 ft 6 in	
<b>A</b> Height	2.07 m	6 ft 9 in	
<b>B</b> Height at steering wheel	1.35 m	4 ft 5 in	
<b>C</b> Width	1.99 m	6 ft 6 in	
<b>D</b> Inside cab width	75 cm	2 ft 5 in	
<b>E</b> Track	1.59 m	5 ft 3 in	
<b>F</b> Wheelbase	2.66 m	8 ft 8 in	
<b>G</b> Overall length	5.91 m	19 ft 5 in	
<b>H</b> Length at fork-holder plate	4.71 m	15 ft 5 in	
<b>I</b> Ground clearance	50 cm	1 ft 8 in	
<b>M1</b> Obstruction angle	90°	90°	
<b>M2</b> Departure angle	50°	50°	

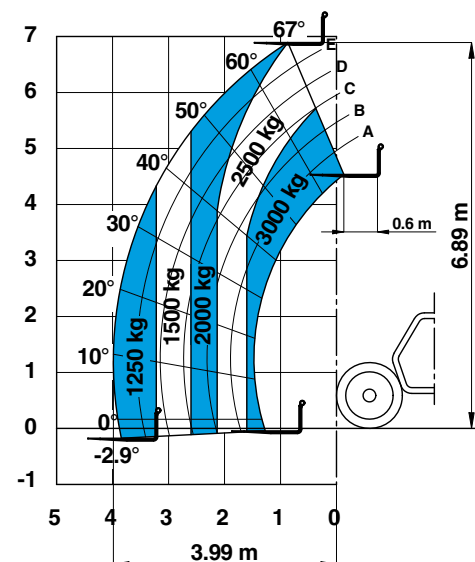


PRODUCTIVITY	
Inside/outside turning radius	2.2 m/3.8 m 7 ft 3 in/ 12 ft 6 in
Break out force (with 800L shovel SAE J 732/80)	4,270 kg 9,413 lbs
Towing capacity at dynamometer	5,200 kg 11,463 lbs
Travel speed maximum	32 km/h 17 mph
Fork-holder plate rotation	128° 128°
Floating forks	Length 1240 mm Length 49 in Section 100 x 50 mm Section 4 in x 2 in
Tyres (DIN 70361)	405/70-20" PR14 8 holes wheel disc
Lifting/lowering speed	9 sec./7 sec. 9 sec./7 sec.
Extension/retraction speed	8 sec./5 sec. 8 sec./5 sec.

POWER	
Engine	Deutz TD2011 L04W 4-cylinder Turbo Diesel 91 hp (68 kW), Tier 3
Tank capacities	
Fuel	90 L 20 gal
Engine oil	10 L 2 gal
Hydraulic oil	80 L 17.5 gal
Hydraulic output/pressure	87 L/min-280 bars 19 gal/min-4,061 psi

WEIGHT	
Weight*	5,900 kg 13,006 lbs

STANDARD COMPLIANCE	
	Operating cab conforms to ISO3471 (ROPS) and ISO3449 (FOPS)
	Low emission engine conforms to UE 97/68 directives.
	GOST R 50950-96



Lift capacity chart

EN1459, Annex B

\* Weight will vary depending on options and/or country standards