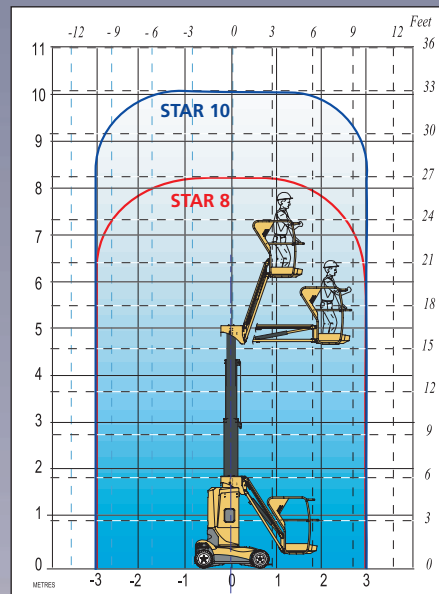
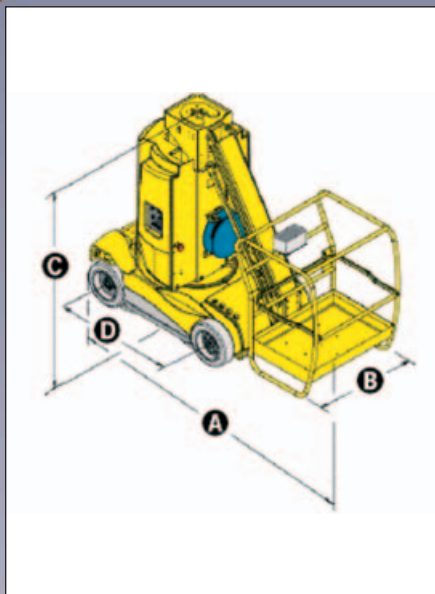


STAR 8 STAR 10

Vertical masts



SPECIFICATIONS

	Star 8	Star 10
Working Height	8.20 m / 28 ft 9 in	10 m / 32 ft 10 in
Platform Height	6.20 m / 22 ft 2 in	8 m / 26 ft 3 in
Horizontal outreach	3,1m / 10 ft 2 in	
Platform Capacity	200 kg / 441 lb	
A Length	2,65m / 8 ft 8 in	
B Width	0.99m / 3ft 2in	
C Stowed Height	1.99 m / 6 ft 6 in	
D Wheelbase	1.2 m / 3 ft 11 in	
Ground Clearance	de 2,5 cm à 10 cm / 1 in to 4 in	
Platform size	0.92x0.68m / 36 in x 27 in	
Tailswing	0	
Drive speed	0.7 - 4.5 km/h / 0.43 - 2.8 mph	
Outside turning radius	1.87m / 6ft 1 in	
Turntable rotation	345°	
Traction batteries	24 V (2 x 12 V) / 240 Ah	
Gradeability	23%	
Tilt alarm	3°	
Non marking tyres	16" x 5" x 10,5"	
Weight	2700kg / 5952 lb	2760 kg / 6085 lb