

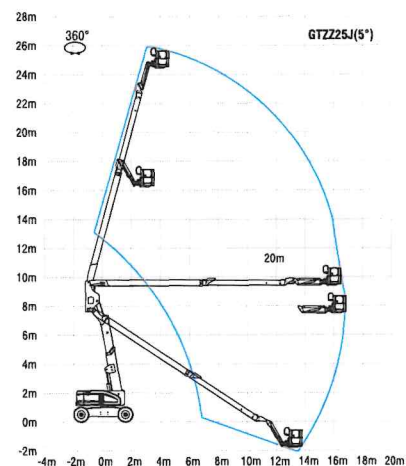
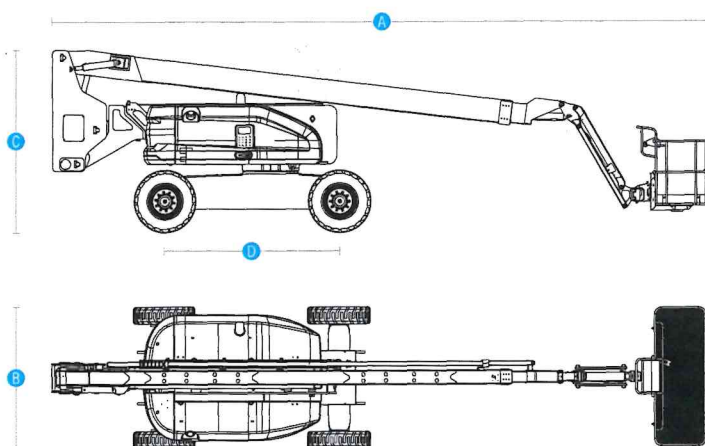
Engine Powered Articulated Boom Lifts

AB18J(AB600J)/AB25J(AB810J)

Compliant with CE standards

SINOBOOM

Model	AB18J(AB600J)		AB25J(AB810J)	
	Metric	US	Metric	US
Dimensions				
Max Platform Height	18.3m	60'0.5"	24.6m	80'8.5"
Max Working Height	20.3m	66'7"	26.6m	87'3"
Max Horizontal Extension	12.2m	40'	16.1m	52'10"
Max Up and Over Clearance	7.8m	25'7"	9.4m	30'10"
A Length-Stowed	8.6m	28'3"	11.51m	37'9"
B Width-Stowed	2.28m	7'6"	2.49m	8'2"
C Height-Stowed	2.56m	8'5"	3.2m	10'6"
D Wheelbase	2.44m	8'	3.05m	10'
Ground Clearance	0.23m	9.1"	0.39m	15.4"
Platform Dimensions(L×W×H)	1.83×0.85×1.1m	72×33.5×43"	2.44×0.91×1.1m	96×36×43"
Performance				
Platform Capacity(Unrestricted/ 2 persons)	250kg	507lbs	230kg	507lbs
Turntable Rotation	360° continuous		360° continuous	
Platform Rotation	160°		160°	
Drive Speed-Stowed	5km/h	3.1mph	4.4km/h	2.7mph
Drive Speed-Raised	1.1km/h	0.68mph	1.1km/h	0.68 mph
Gradeability	40%		45%(4WD)/30%(2WD)	
Turning Radius-Inside	3.48m	11'5"	3.0m	9'10"
Turning Radius-Outside	6.29m	20'8"	6.33m	20'9"
Turntable Tailswing	0.2m	7.9"	1m	3'3"
Tilt Rating	5°		5°	
Max Operating Noise Level	82dB(A)		82dB(A)	
Drive×Steer	4WD×2WS		4WD×2WS/2WD×2WS	
Tyres Spec/Type	33×12-20/solid		385/65-24/10/solid	
Power				
Power Source	Cummins QSF2.8t3NA60,43kW,China 3 emission standard/EU Stage 3A		Cummins QSF2.8t3NA60,43kW,China 3 emission standard/EU Stage 3A Deutz TD2.9L4,55.4kW, EPA Tier 4f	
Auxiliary Power Unit	12V DC		12V DC	
Fuel Tank Capacity-Diesel	110L	24.2gal	160L	35.2gal
Hydraulic Tank Capacity	110L	24.2gal	170L	37.4gal
Weight				
Weight	10,700kg 4WD	23,589lbs 4WD	16,300kg 4WD	35,935lbs 4WD
Standards Compliance				
CE				



Engine Powered Articulated Boom Lifts

AB18J(AB600J)/AB25J(AB810J)

Compliant with CE standards

Product Highlights

Powerful Off-Road Performance

- 40%-45% gradeability, proprietary patented technology for anti-skid control to ensure a strong off-road capability

Safe and reliable

- Secure and reliable folding arm, luffing operation with hydraulic interlocking, and hydraulic-connection body leveling
- Simple and reliable hydraulic platform leveling

Operating efficiency

- The working platform can be lifted and lowered to any position without the need to operate the folding arm.
- Quick platform ascent and descent

Precision performance

- 3 joysticks with variable proportional control, boom swing, boom extension, turntable rotation and walking speed, smooth start and stop motion, accuracy in reaching the operation target

Smart maintenance

- Smart 7" screen display, fault and status information display for easy viewing of machine status and fault diagnosis, parameters and settings

Standard features

- | | | |
|--|--------------------------------------|---|
| ■ Platform hydraulic leveling | ■ Display screen | ■ Engine restart protection |
| ■ Platform 160° hydraulic rotation | ■ Fault diagnosis system | ■ Engine malfunction automatic shutdown |
| ■ Drive enable system | ■ Emergency stop system | ■ Engine preheating |
| ■ Full proportional handle variant control | ■ Emergency lowering system | ■ Emergency brake release |
| ■ Horn and buzzer alarms | ■ Max allowable inclination up to 5° | ■ Solid tyres |
| ■ Rotation warning lamp | ■ 360° continuous turntable rotation | ■ 4WD |
| ■ Tilt protection | ■ Swing-out engine | ■ Overload sensing system |

Optional features

- | | | |
|--------------------------------------|-----------------------------------|----------------------------------|
| ■ Headlight | ■ AC cable to platform | ■ Overhead anti-collision device |
| ■ Optional 1.45m(4'9") work platform | ■ Optional 1.83m(6')work platform | ■ IOT-based operation monitoring |
| ■ 2WD | ■ Outrigger oscillating axle | |

SINOBOOM

Sinoboom Intelligent Equipment Co Ltd

📍 No.128 East Jinzhou Av., Ningxiang Hi-Tech Industry Park,
Changsha, Hunan, China, 410600

🌐 www.sinoboom.com

✉ sales@sinoboom.com